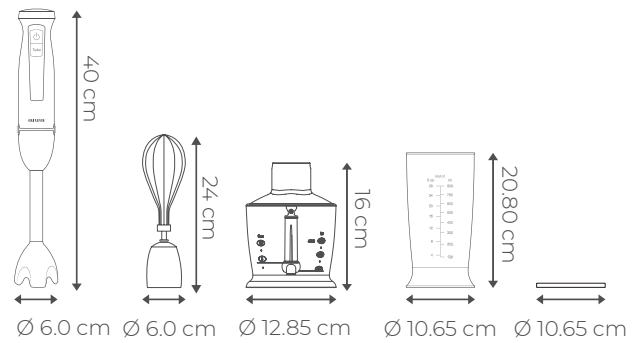


HAND BLENDER
KITCHEN SOLUTIONS

Power	1500 W
Speed control	40 + Turbo
Blade type	6 Satoku® Titanium
Rod	Stainless Steel
Accessories	4
BPA Free	



KENKIRI 1500 PLUS
HAND BLENDER ABL-1500 PLUS

- **Power:** 1500W motor, delivering professional performance.
- **Speed Settings:** 40 variable speeds plus a Turbo function for customized blending.
- **Blades:** 6 Satoku® Titanium blades designed for efficiency and durability.
- **Accessories:** Comes with an 800 ml measuring cup with lid, a 500 ml chopper, and a stainless steel whisk.
- **Versatility:** Enhanced with additional accessories for a comprehensive blending experience.
- **Rod:** Stainless steel construction for consistent, high-quality blending. **Antisplash proof.**

POWER AND VERSATILITY IN ONE DEVICE

Versatile Toolkit: Enhanced with a chopper and whisk alongside the powerful motor, the 1500 Plus model is the ultimate kitchen multitasker.

Expertly Equipped: The inclusion of durable, precision-engineered titanium blades and diverse accessories makes it a powerhouse for any culinary creation.

Effortless Control: With extensive speed settings and a Turbo boost, this model offers complete control over texture and consistency.

ACCESSORIES



KENKIRI 1500 PLUS		
MODEL	EAN CODE	MASTER BOX
ABL-1500P	8435256810127	8